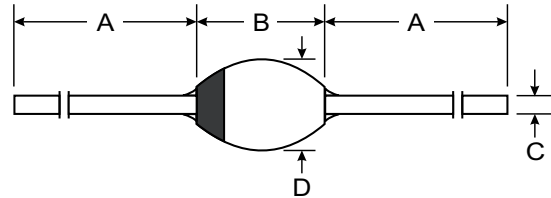


**0.8A FAST RECOVERY HIGH VOLTAGE GLASS BODY RECTIFIER**

**Features**

- Hermetically Sealed Glass Body Construction
- High Voltage to 1800V with Low Leakage
- Surge Overload Rating to 20A Peak



**Mechanical Data**

- Case: SOD-57, Glass
- Terminals: Plated Leads Solderable per MIL-STD-202, Method 208
- Polarity: Cathode Band
- Weight: 0.50 grams (approx.)
- Mounting Position: Any
- Marking: Type Number

SOD-57		
Dim	Min	Max
A	26.0	—
B	—	4.2
C	—	0.82
D	—	3.6
All Dimensions in mm		

**Maximum Ratings and Electrical Characteristics @ T<sub>j</sub> = 25°C unless otherwise specified**

Characteristic	Symbol	BY268	BY269	Unit
Peak Repetitive Reverse Voltage Working Peak Reverse Voltage DC Blocking Voltage	$V_{RRM}$ $V_{RWM}$ $V_R$	1400	1600	V
RMS Reverse Voltage	$V_{R(RMS)}$	980	1120	V
Non-Repetitive Peak Reverse Voltage	$V_{RSM}$	1600	1800	V
Average Rectified Output Current (Note 1)	$I_O$	800		mA
Non-Repetitive Peak Forward Surge Current 8.3ms single half sine-wave superimposed on rated load (JEDEC Method)	$I_{FSM}$	20		A
Forward Voltage @ $I_F = 400mA$	$V_{FM}$	1.25		V
Peak Reverse Leakage Current at Rated DC Blocking Voltage @ $T_j = 25^\circ C$ @ $T_j = 100^\circ C$	$I_{RM}$	2.0 15		$\mu A$
Reverse Recovery Time (Note 2)	$t_{rr}$	400		ns
Typical Thermal Resistance Junction to Ambient (Note 1)	$R_{\theta JA}$	110		K/W
Operating and Storage Temperature Range	$T_j, T_{STG}$	-65 to +175		$^\circ C$

- Notes: 1. Valid provided that leads are kept at ambient temperature at a distance of 25mm from the case.  
2. Measured with  $I_F = 1.0A$ ,  $I_R = 1.0A$ ,  $I_{rr} = 0.25A$ . See Figure 4.

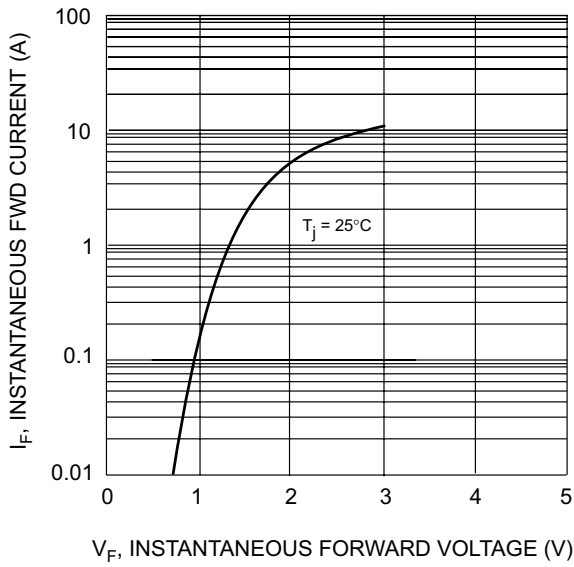


Fig. 1 Typical Forward Characteristics

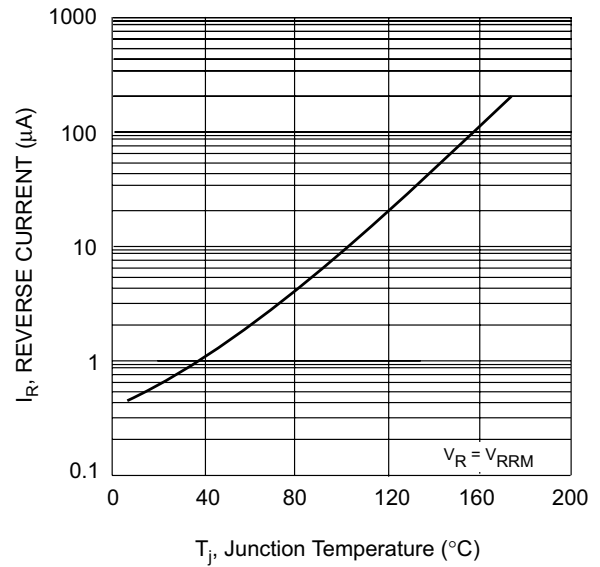


Fig. 2 Typical Reverse Characteristics

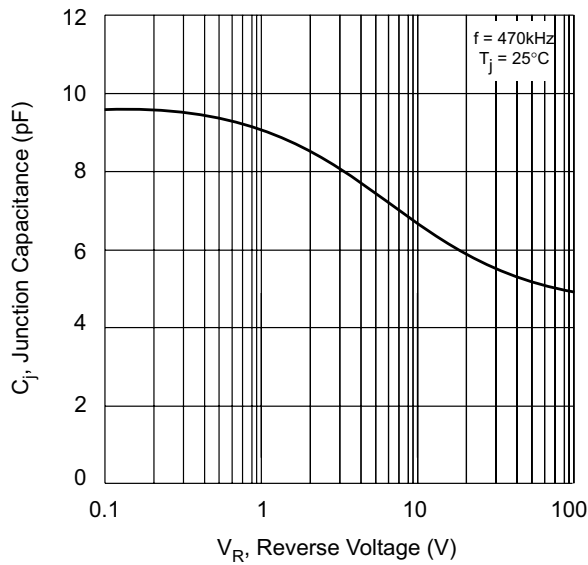
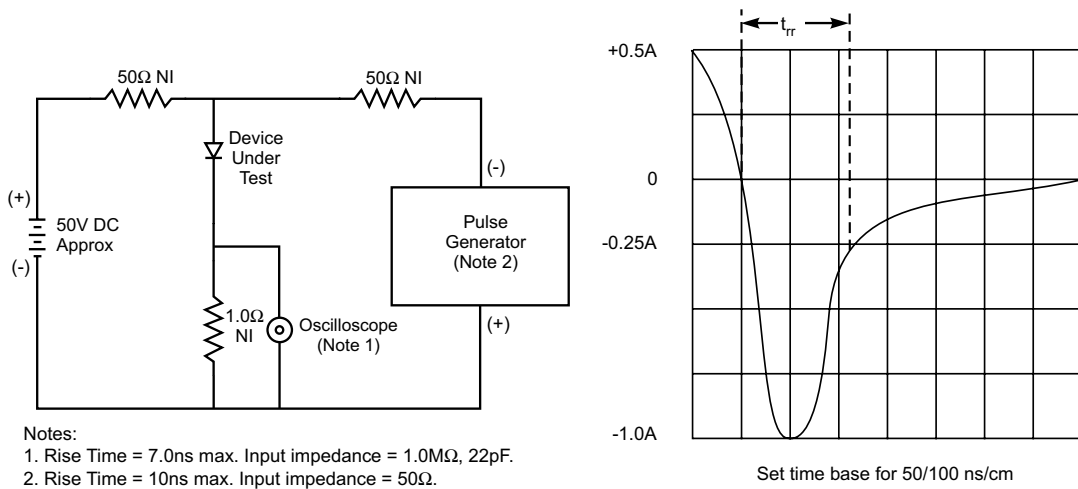


Fig. 3 Typical Junction Capacitance



- Notes:
1. Rise Time = 7.0ns max. Input impedance = 1.0MΩ, 22pF.
  2. Rise Time = 10ns max. Input impedance = 50Ω.

Fig. 4 Reverse Recovery Time Characteristic and Test Circuit